



**COOLER** TRANSPORT

**MODEL 4 x 8**



**We're With You Every  
*Degree* Of The Way**





# COOLER TRANSPORT

## MODEL 4 x 8

### PRODUCT SPECIFICATIONS

#### Standard Model Numbers

Auto Defrost – R134a: 4XB ADC

Cold Wall – R134a: N/A

#### Dimensions & Capacities

Approx. Interior Cubic Feet: 140

Dimensions (W" x D" x H"): 48 x 96 x 71

Door Size (W" x H"): 25 x 57

#### Operating Temperature

(X°F - X°F): 35 - 38

Control: Mechanical Control

#### Product Weight

Auto Defrost (lbs.): 1150

Cold Wall (lbs.): N/A

#### Electrical

Voltage (V/Hz): 115 / 60

Min. Circuit Required (Amps): 20

Auto Defrost (Amps): 9.6

Cold Wall (Amps): N/A

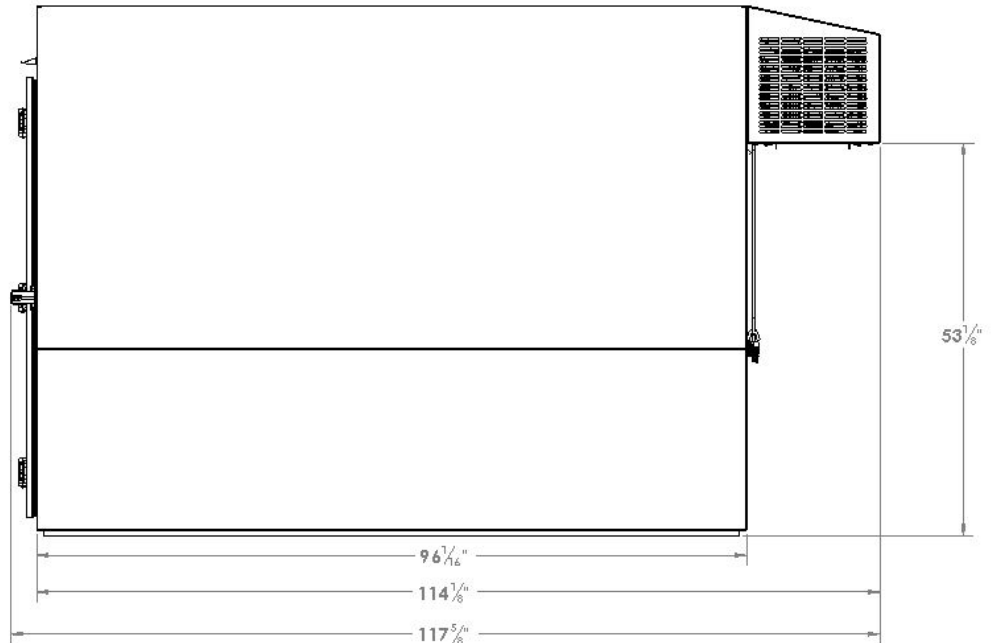
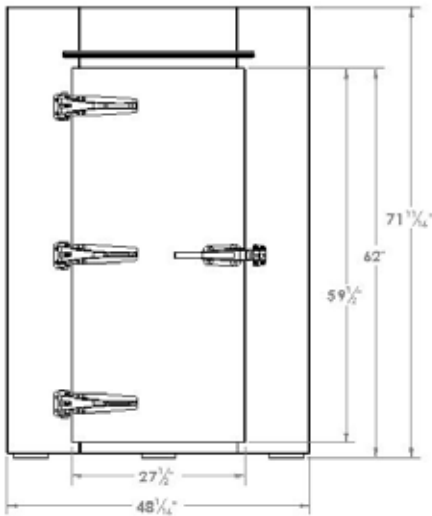
230V/50Hz Available: Upon Request

#### Other

Compressor (HP): 1/2

Refrigerant: R134a

1. Depth Does Not include Compressor
2. Add 3.5" to Depth for Handle & Hinges



### VIDEO LIBRARY [leerinc.com/video-library](http://leerinc.com/video-library)



### DIMENSIONAL DRAWINGS