



REACH-IN STORAGE FREEZER

S100 AS



**We're With You Every
Degree Of The Way**





REACH-IN STORAGE FREEZER

S100 AS

PRODUCT SPECIFICATIONS

Standard Model Numbers

Auto Defrost – R404a:	L100UASER-FZR
Cold Wall – R404a:	N/A

Dimensions & Capacities

Number of Shelves:	8
Adjustable:	Yes
Weight Per Shelf (lbs.):	100
Approx. Interior Cubic Feet:	90
Dimensions (W"xD"xH"):	94 x 35.5 x 76.5
Door Size (W"x H"):	27 x 55

Operating Temperature

(X°F - X°F):	-10 - 0
Control:	Electronic Control

Product Weight

Weight (lbs.):	600
----------------	-----

Electrical

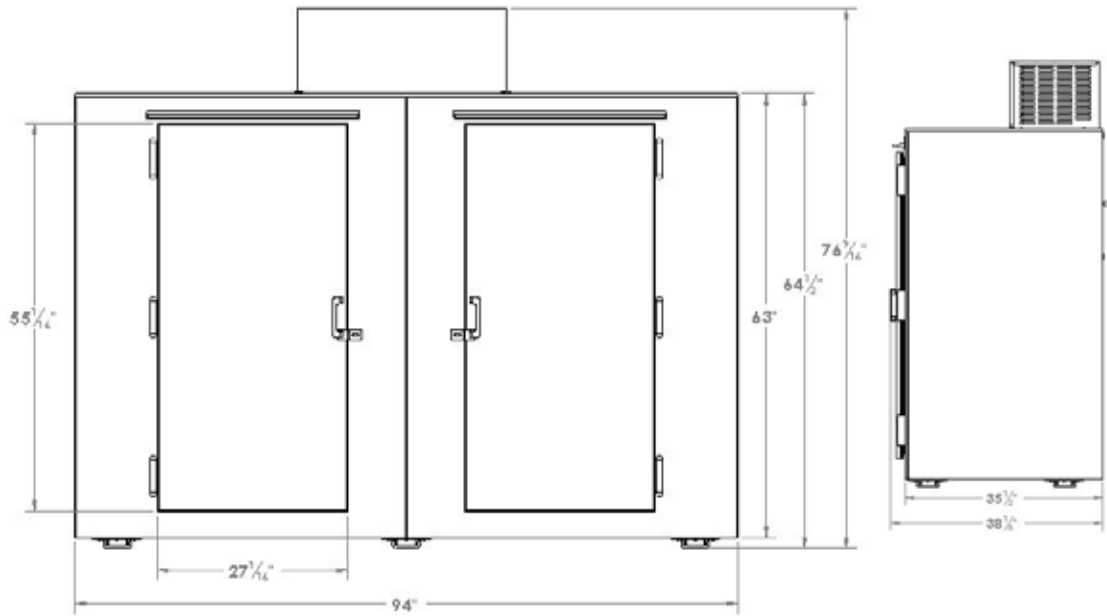
Voltage (V/Hz):	115/60
Min. Circuit Required (Amps):	20
Auto Defrost (Amps):	13
230V/50Hz Available:	Upon Request

Other

Compressor (HP):	3/4
Refrigerant:	R404a
Certifications:	UL, cUL, CE
DOE Compliant:	Yes
NSF Available:	Upon Request

1. Height includes Compressor
2. Add 3.5" to Depth for Door & Handle

DIMENSIONAL DRAWINGS



VIDEO LIBRARY leerinc.com/video-library

