



ICE VENDING MACHINES

VM85



**We're With You Every
Degree Of The Way**





ICE VENDING MACHINES

VM85

PRODUCT SPECIFICATIONS

Standard Model Numbers

Auto Defrost – R404a:	L085UASV
Cold Wall – R404a:	N/A
Auto Defrost – R290:	L085UASVP
Cold Wall – R290:	N/A

Dimensions & Capacities

7 lb. Bags - Auto Defrost:	230
20 lb. Bags - Auto Defrost:	90
7 lb. Bags - Cold Wall:	N/A
20 lb. Bags - Cold Wall:	N/A
Approx. Interior Cubic Feet:	85
Dimensions (W"xD"xH"):	84 x 35.5 x 78.5
Door Size (W"x H"):	27 x 48

Operating Temperature

(X°F - X°F):	16 - 24
Control:	Electronic Control

Product Weight

Auto Defrost (lbs.):	650
Cold Wall (lbs.):	N/A

Electrical

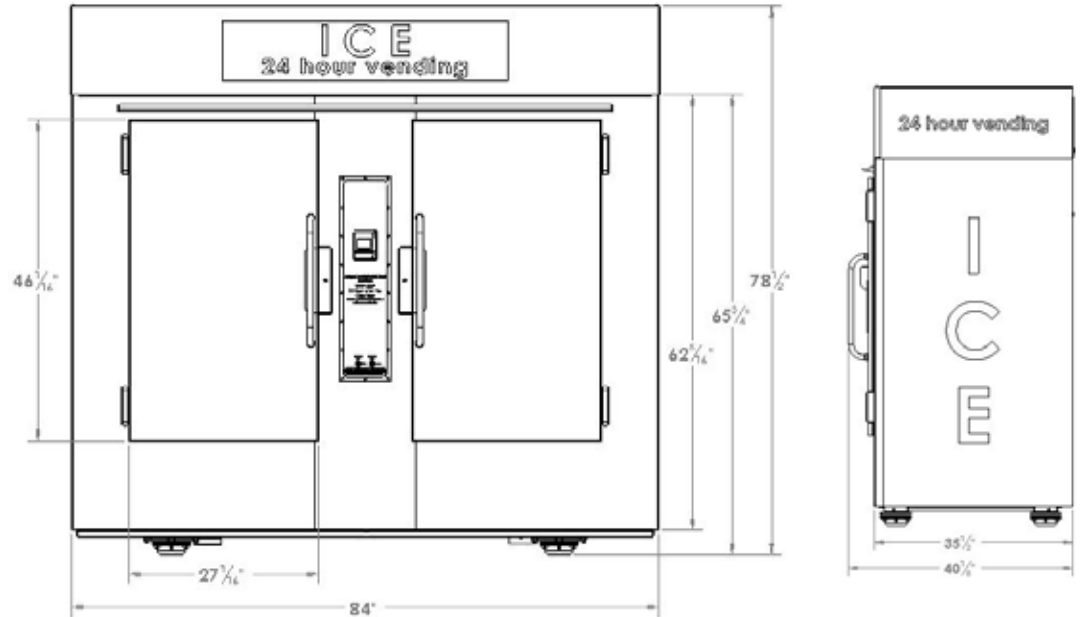
Voltage (V/Hz):	115 / 60
Min. Circuit Required (Amps):	15
Auto Defrost (Amps):	10
Cold Wall (Amps):	N/A
230V/50Hz Available:	Upon Request

Other

Compressor (HP):	1/2
Refrigerant:	R404a, R290
Certifications:	UL, cUL, CE
DOE Compliant:	Yes
CARB Compliant:	Upon Request
NSF Available:	Upon Request

1. Height includes Compressor
2. Add 3" to Depth for Condensate Evaporator Pan
3. Add 3" to Depth for Low Profile Raceway
4. Add 3.5" to Depth for Glass Door & Handle
5. Add 3" to Depth for Upright Solid Door & Handle
6. Add 1" to Depth for Slant Solid Door & Handle
7. Merchandiser storage capacities are approximate & may vary due to type of ice, bag size, and methods of loading.

DIMENSIONAL DRAWINGS



VIDEO LIBRARY leerinc.com/video-library

